



[-> to the product](#)



Wedge wire filter AS325-FD



Scraper blade unit AS325-FD

MTS & APIC wedge wire filters are self-cleaning filter units which, with their robust stainless steel construction and user-friendly design, are also ideally suited for demanding operating conditions.

In addition to the significantly larger filter area, the AS325-FD, compared to other filters in the AS-FD series, also offers a swivel arm for easy disassembly of the lid-motor unit.

Essentially, the AS325-FD is composed of the following assemblies that can be disassembled without tools:

- One-piece filter housing with swivel arm and welded-on brackets
- Lid with worm gear motor
- Scraper blade unit with wedge wire element and scraper blade

The filtration process takes place through the filter element from the outside to the inside, with the solids accumulating on the outside. The gear motor rotates the cylindrical wedge wire element and the applied scraper blade scrapes the solids from the outer surface. These solids then settle in the lower part of the filter housing and are discharged to the outside by the system pressure inside the housing when the drain valve is opened.

Discharge of solids can generally be accomplished in three ways:

- Manual: By opening and closing a ball valve
- Automatic: By a time-controlled valve  
-> *Timer control TA-01B*
- Automatic: With an electronic control system with differential pressure monitoring, which controls a drain valve  
-> *Automatic control AS-E4-01*

(Ball valve and control variants are not included in the standard scope of delivery)

Maintenance and cleaning of the filter is possible without much effort, as only six eyebolts have to be loosened in order to swing away the lid (with gear motor) and remove the scraper blade unit.

After the interior of the housing is accessible easily and can be completely cleaned very easily.

Optionally, the filter is also available in an internally polished version, which again significantly improves the cleaning behavior.

## Technical Data

Material Filter housing:	Stainless steel 1.4404/ 1.4571
Material wedge wire element:	Stainless steel 1.4404
Material Scraper blade:	Stainless steel 1.4310
O-Rings:	Viton (Options on request)
Gasket :	PTFE +15% Graphite (PTFE )
Micron rating:	25 µm to 3000 µm
Operating pressure:	0 to +10 bar (16 bar Option on request )
Operating temperature:	+10°C to +80°C (deviating temp. on request)
Gear drive:	Worm Gear Motor
Electrical connections:	400 V, 50 Hz (deviating voltage on request)
Protection class:	IP65
Filter area:	1932 cm <sup>2</sup>
Flow rate:	Max. 70 m <sup>3</sup> /h <sup>1</sup>
Manufactured in accordance with 2014/68/EU category I, module A	
<sup>1</sup> based on water at 100 µm	

## Main features

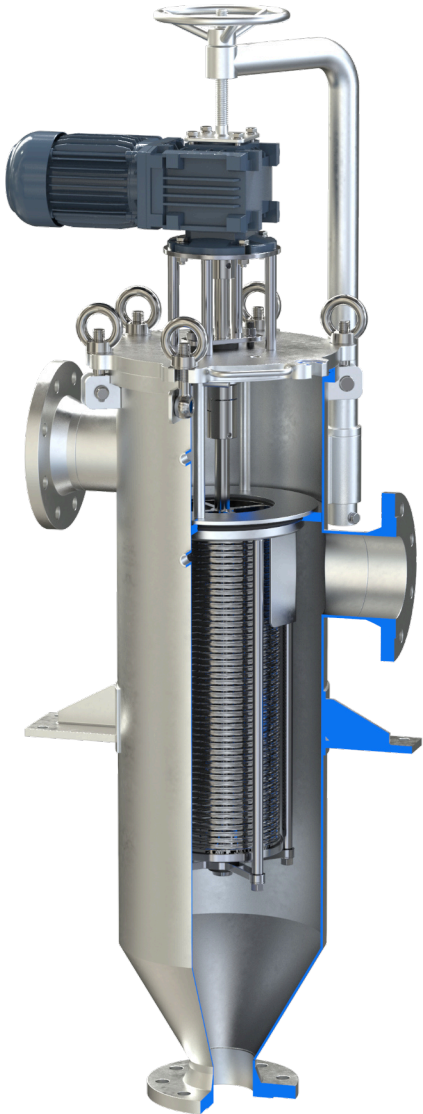
- Clean and dirt room can be cleaned fast and easy
- Easy lifting of the lid incl. motor due to swivel arm
- Dismounting of the scraper blade unit without tools
- No filterelement disposal
- The product waste is kept to a minimum
- Easy dismounting of the wedge wire element
- Self-cleaning with no interruption of production process
- Suitable for almost all fluids
- High resistance to differential pressure

## Applications

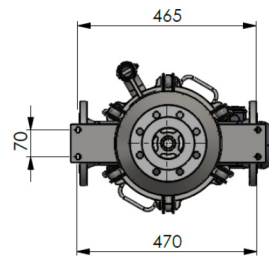
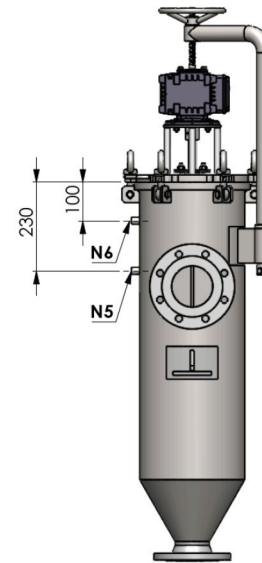
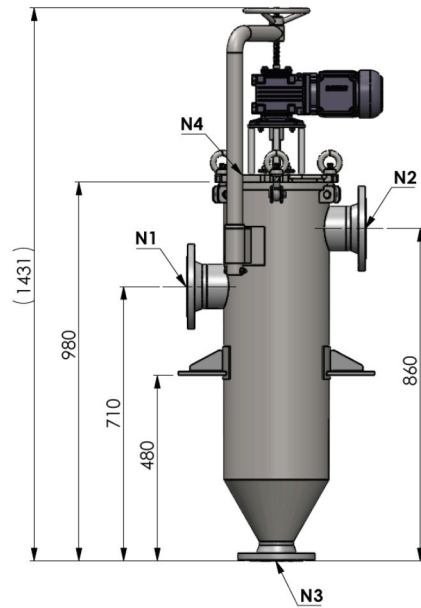
- |                  |                           |                |
|------------------|---------------------------|----------------|
| • Juices         | • Paints and Coatings     | • Adhesives    |
| • Syrup          | • Inks                    | • Solvents     |
| • Chocolate      | • Electrophoresis Coating | • Plasticizers |
| • Cocoa mass     | • Gear oil                | • Polyurethane |
| • Marzipan       | • Water-based solutions   | • Emulsions    |
| • Honey          | • Coolants                | • Tar products |
| • Coffee extract | • Underbody Protection    | • Resins       |
| • Yeast          |                           |                |
| • Edible oil     |                           |                |



[-> to the product](#)



AS325-FD  
Volume: 50l



### Connections

Designation	Function	Type	Size
N1	Inlet	Flange DIN 1092-1	DN100 PN16
N2	Outlet	Flange DIN 1092-1	DN100 PN16
N3	Drain	Flange DIN 1092-1	DN80 PN16
N4	Vent	BSPF female thread in the lid	G 1/4"
N5	Pressure gauge +	BSPF female thread	G 1/4"
N6	Pressure gauge -	BSPF female thread	G 1/4"

### Order information

AS		-	FD
Flange   In- & outlet			
325		DN100	

Order example: AS325-FD